

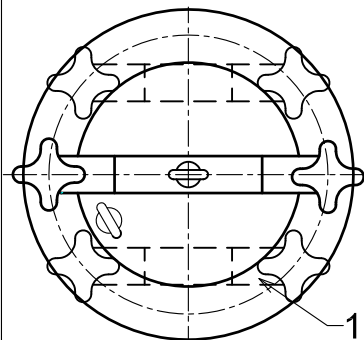
Basket Strainer Knob Cover Flanged Type

125# flanged Connection

Operating Pressures & Temp.			
Service	Size	P.S.I	Temp.
Water	2"~12"	200	100° F

MATERIAL LIST

Item	No.	Part	Material	Specification
1	01	Body	Cast Iron	ASTM A126-B
2	02	Cover	Ductile Iron	ASTM A536
3	10	O-Ring	N.B.R	Commercial
4	04	Clamper	Ductile Iron	ASTM A536
5	05	Hand Nut	Ductile Iron	ASTM A536
6	28K	Eye Bolt	Carbon Steel	ASTM-A307
7	21	Bush	Stainless Steel	SUS 304
8	28F	Full Bolt	Carbon Steel	ASTM-A307
9	28P	Plug	Malleable	ASTM-A197
10	23	Screen	Stainless Steel	SUS 304



STANDARD SCREENS:

SIZES	Openings
2"~4"	1/16" (0.0625") perf
5"~12"	1/8" (0.125") perf

10", 12"x2

"A" WITH EYE BOLT

Dimensions

Unit:mm

Size	A	B	C	D	F	L	T	M _(NPT)	nxh
2"	218	123	121	152	136	203.2	16	3/4"	4x3/4
2 1/2"	244	147	140	178	160	209.6	17	3/4"	4x3/4
3"	301	181	152	191	176	247.7	19	3/4"	4x3/4
4"	340	203	191	229	195	292.1	24	1"	8x3/4
5"	387	216	216	254	242	333.4	24	1"	8x7/8
6"	415	238	241	279	270	374.7	25	1"	8x7/8
8"	526	291	298	343	324	470	29	1 1/2"	8x7/8
10"	624	344	362	406	270	511.2	30	1 1/2"	12x1
12"	751	411	432	483	324	666.8	32	2"	12x1

Note: 2"~8" have one clamp. 10"~12" have two clamps.

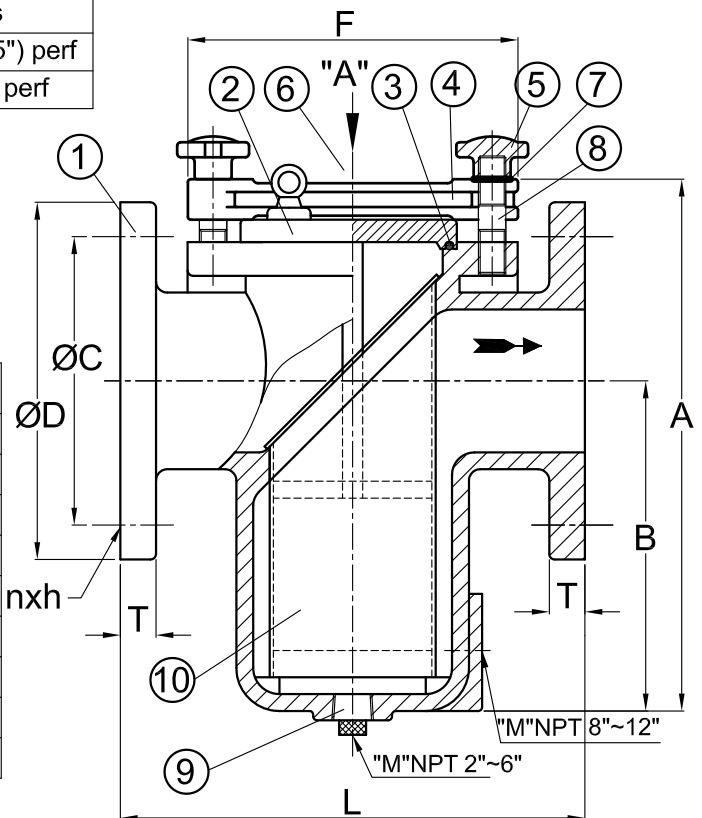


Fig: 734A



EVER METAL INDUSTRY CO.,LTD