

CLASS 125 IRON BODY GLOBE

- Bolted Bonnet, Renewable Seat and Disc, Bronze Mounted.
- Conforms to MSS SP-85, Flanged End and Drilling to ANSI B16.1
- Working Pressure: 125 PSI Steam to 450°F or 232°C
200 PSI Non-Shock Cold Water, Oil or Gas to -20°F to 150°F or -29°C to 66°C
- Back Seat Stop

MATERIAL LIST

Item	No.	Part	Material	Specification	Qty	Remarks
1	01	Body	Cast Iron	ASTM A126-B	1	
2	08B	Body Seat Ring	Cast Bronze	ASTM B62	1	
3	08D	Disc Seat Ring	Cast Bronze	ASTM B62	1	5"~12"
4	03	Disc	2"~4"	Cast Bronze	ASTM B62	1
			5"~12"	Cast Iron	ASTM A126-B	1
5	21	Stop Washer	Brass	ASTM B16	1	
6	13	Disc Nut	Cast Bronze	ASTM B62	1	
7	12	Stem	Brass	ASTM B16	1	
8	15	Packing	Non-Asbestos	Packing	3	4 on 6"~12"
9	07	Gland	Cast Bronze	ASTM B62	1	
10	06	Gland Flange	Ductile Iron	ASTM A536	1	
11	02	Bonnet	Cast Iron	ASTM A126-B	1	
12	09	Yoke Bush	Cast Bronze	ASTM B62	1	
13	05	Hand Wheel	Cast Iron	ASTM A126-B	1	
14	27	Nut	Steel	ASTM A307-A	1	
15	28I	Socket Set Screw	Steel	ASTM A307-A	1	
16	27	Gland Flange Nut	Steel	ASTM A307-A	2	
17	28S	Square Head Bolt	Steel	ASTM A307-A	2	
18	28H	Hex. Head Bolt	Steel	ASTM A307-A	1 Set	
19	14	Gasket	Non-Asbestos		1	
20	22G	Guide Pin	Brass	ASTM B16	1	5"~12"
21	21	Washer	Steel	ASTM A307-A	1	

■ Body has five Tapping Bosses.

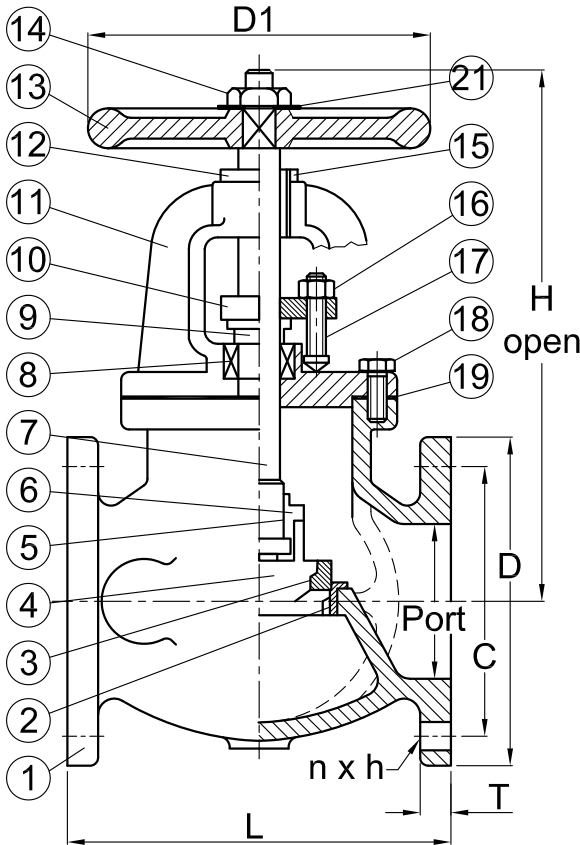
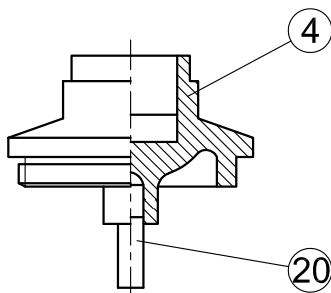


Fig: 765A



Size 5" to 12" Structure

Cv & Weight

SIZE	2	2-1/2	3	4	5	6	8	10	12
Cv	45	75	110	200	320	475	875	1370	2050
Wt.(Lbs)	36.1	48.7	56.8	95	138.8	182.6	378.3	522.5	705

Dimensions

Unit: inch

Size	Prot	H	L	C	D	D1	T	n x h
2"	2.0	11.93	8.0	4 ³ / ₄	6	7	5 ⁸ / ₁₆	4x ³ / ₄
2-1/2"	2.5	12.83	8.5	5 ¹ / ₂	7	7	1 ¹ / ₁₆	4x ³ / ₄
3"	3.0	13.62	9.5	6	7 ¹ / ₂	8	3 ⁴ / ₁₆	4x ³ / ₄
4"	4.0	14.57	11.5	7 ¹ / ₂	9	10	1 ⁵ / ₁₆	8x ³ / ₄
5"	5.0	17.71	13.0	8 ¹ / ₂	10	12	1 ⁵ / ₁₆	8x ⁷ / ₈
6"	6.0	19.69	14.0	9 ¹ / ₂	11	12	1	8x ⁷ / ₈
8"	8.0	22.68	19.5	11 ³ / ₄	13 ¹ / ₂	14	1 ¹ / ₈	8x ⁷ / ₈
10"	10.0	27.00	24.5	14 ¹ / ₄	16	16	1 ³ / ₁₆	12x1
12"	12.0	29.80	27.5	17	19	18	1 ¹ / ₄	12x1

■ Note: Design and materials are subject to change without notice.



EVER METAL INDUSTRY CO.,LTD